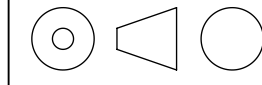


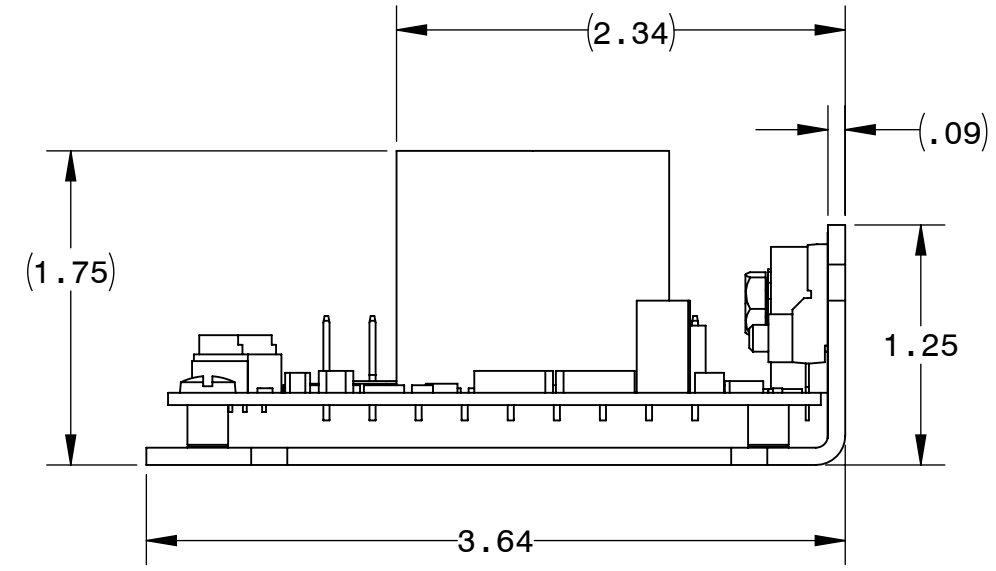
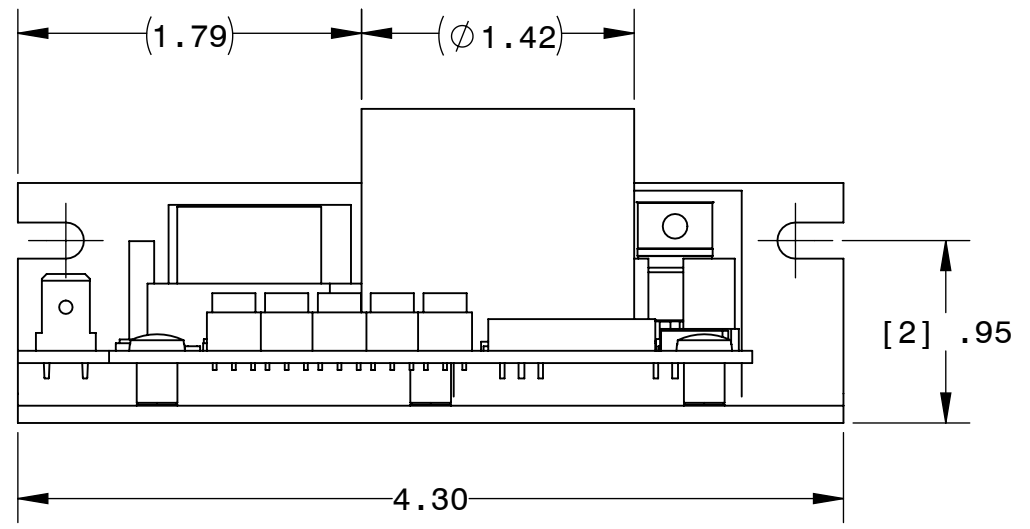
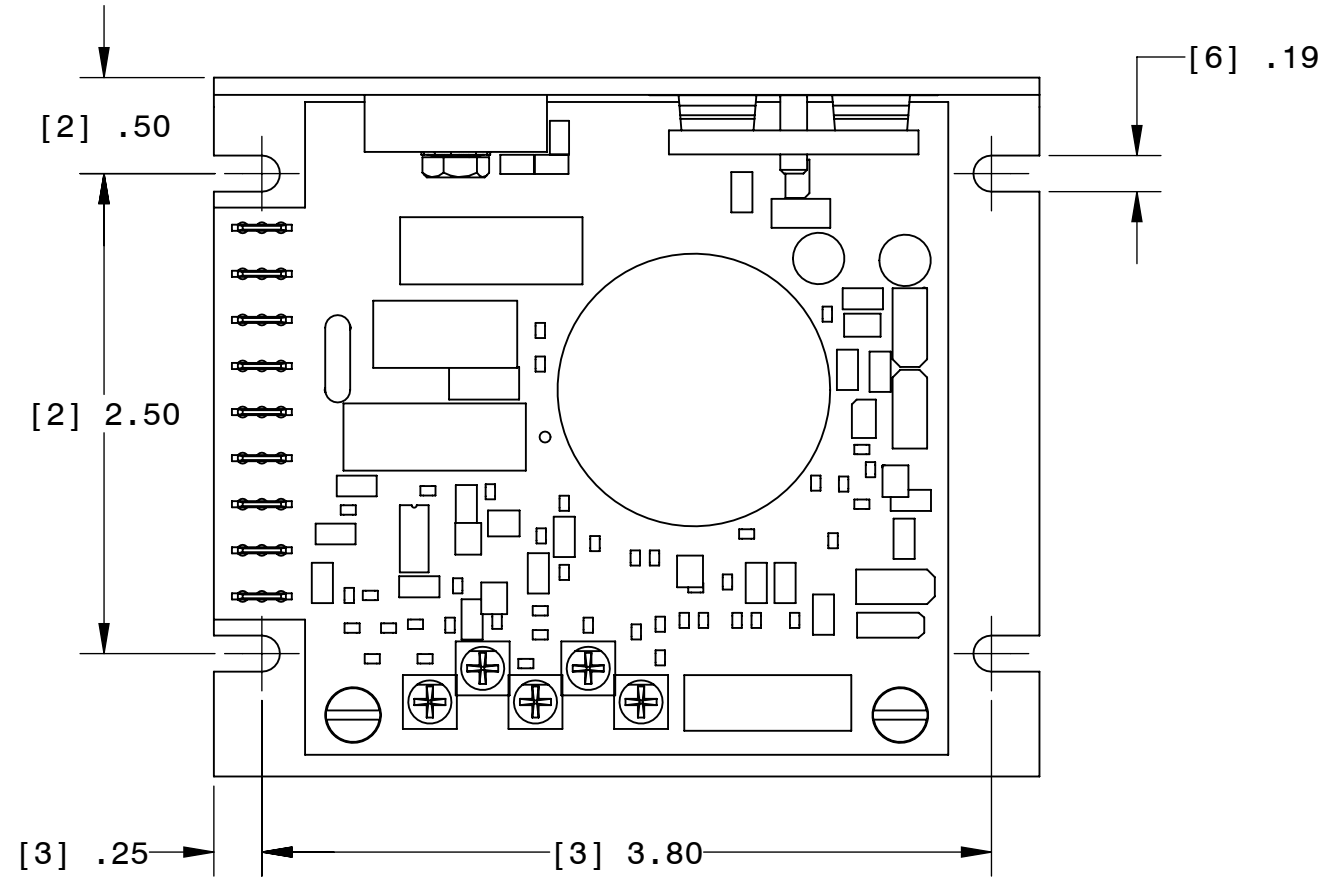
**BODINE ELECTRIC COMPANY**

PART NO./REV: **INFM0037** **A**

DESCRIPTION:  
**CONTROL WPM-2109C & WPM-2137C**



SHEET: **Sheet1**  
SCALE: **1:1**  
**B** UNLESS OTHERWISE SPECIFIED:  
UNITS ARE IN INCHES [mm]  
TOLERANCES: .XX:±.01 .XXX:±.005  
ANGLES: X°:±3° X.X°:±0.5°



REPRESENTATIVE OF MODEL NUMBER(S):  
**0780 0781**

